



Fix-Kit for tilting sensor RF RW FIX KIT Article no.: 1465156

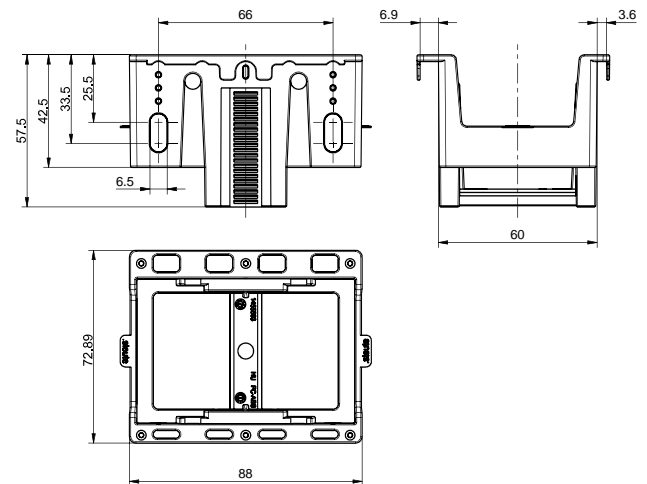
Product features

- All-purpose holder for different types of roller conveyors, e.g. item, CREFORM, Rollex etc.
- Simple assembly in commercially available standard shelves

Notes

- The wireless tilting sensor and the assembling kit must be ordered individually. The assembling kit is not included with the wireless tilting sensor.

Dimensions



Technical data

Bracket

PC-ABS, grey, similar to RAL 7015

Tensioning clips

POM, black

Ambient temperature

-10 °C ... +50 °C