



Access Point RF RxT SW917-NET PoE Article no.: 1424460

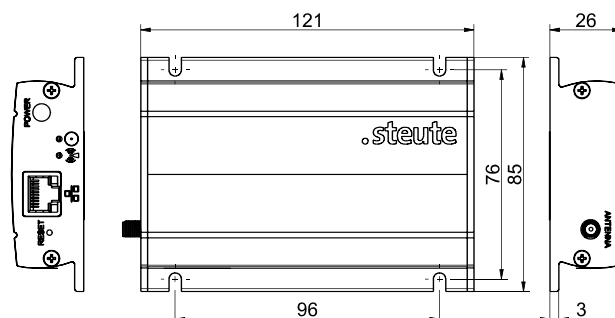
Product features

- sWave.NET® wireless technology
- Simple set-up
- Unlimited spatial expandability
- Long transmission range (700 m outdoors, approx. 50 m indoors)
- Minimal configuration required due to dynamic self-organisation
- Powered via PoE (Power over Ethernet) or external wall power supply (must be ordered separately)

Notes

- A screw-on antenna is included in the delivery.
- A magnetic base with antenna extension can be ordered separately.

Dimensions



General technical data

Applied standards

EN 300 220-2, EN IEC 61000-6-2, EN 301 489-3, EN IEC 62368-1, EN IEC 62368-3, EN IEC 63000

Enclosure

aluminium profile, powder-coated, RAL 7021

Front surface

aluminium sheet, powder-coated, RAL 9016

Antenna

external antenna via RSMA connection;
Notice: use only the enclosed antenna! Max. antenna gain: 3.5 dBi

Degree of protection

IP20 (IEC/EN 60529)

Ambient temperature

0 °C ... +55 °C

Storage and shipping temperature

-25 °C ... +85 °C

Degree of pollution

2

Mounting

screw connection or magnet holder

Connection

Power over Ethernet (PoE), IEEE 802.3af (Class 0)
alternative: plug-in power supply with 3-pole plug connectors

Rated operating voltage U_e

PoE (PD): 48 VDC nominal; (38-57 VDC)
POWER: 24 VDC -15 % ... +10 %

Rated operating current I_e

max. 0.1 A @ 24 VDC

Power dissipation P_e

typ. 1.2 W (max. 2.4 W)

Network interface

10/100 Base-T Ethernet via RJ 45, Cat 5e (S/UTP or F/UTP) or SF/UTP

Software interface

HTTP/MQTT

User interface

Mode LED (operating status),
radio LED (RF telegram signal),
RESET button

Wireless approvals

Brazil: ANATEL 04172-18-06718

Wireless technology

Frequency

917 MHz (Brazil)

Data rate

66 kbps

Channel bandwidth

550 kHz

Protocol

sWave.NET®

Transmission power

< 25 mW

Wireless range

max. 700 m outdoors, max. 50 m indoors

Errors and omissions excepted.