



## Position switch with rocking lever RF 96 D/90° SW915B-NET Article no.: on request

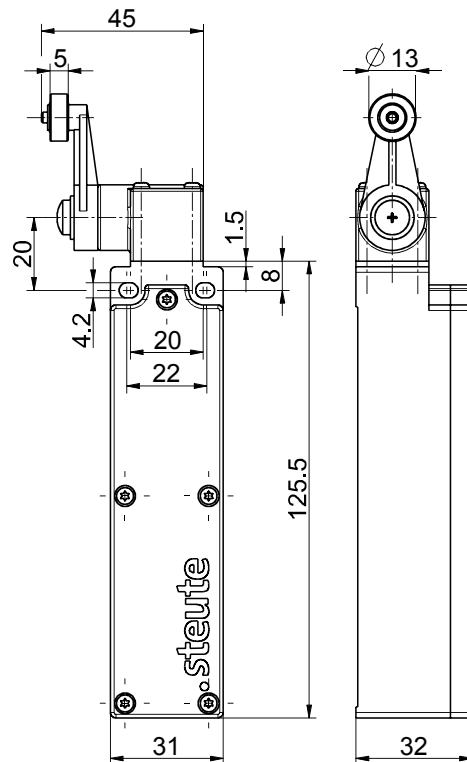
### Product features

- sWave.NET® wireless technology
- Cable-free - with cost savings for installation and maintenance
- Configurable online via wireless interface
- Simple operation and integration in existing ERP systems via Sensor Bridge
- High scalability - up to several hundred sensors in one application
- Battery life approx. 10 years
- Actuator: Rocking lever D
- Lever can be repositioned in 10° steps clockwise or counter-clockwise
- Wear-resistant plastic roller
- Actuator can be repositioned by 4 x 90°

#### Notes

- The battery must be ordered separately.

### Dimensions



### General technical data

#### Applied standards

EN 60947-5-1, EN 61000-6-2, EN 61000-6-3, EN 301 489-3, EN 300 220-2

#### Enclosure

thermoplastic, glass-fibre reinforced, shockproof, self-extinguishing UL 94 V-0

#### Tightening torque

M4 enclosure mounting screws: max 1.2 Nm  
M2.5 cover screws: approx. 0.45 Nm

#### Degree of protection

IP67 (IEC/EN 60529)

#### Ambient temperature

-20 °C ... +65 °C

#### Telegram rate

max. 12000 telegrams with repetitions/h

#### Mechanical life

> 1 million operations

#### Actuating time

min. 80 ms

#### Note

transmission of battery voltage and switching condition

### Wireless technology

#### General

#### Frequency

914.2 MHz (USA, Canada)

#### Data rate

62.5 kbps

#### Channel bandwidth

500 kHz

#### Modulation type

CSS

Errors and omissions excepted.



## Position switch with rocking lever RF 96 D/90° SW915B-NET Article no.: on request

### Wireless technology (contd.)

---

#### Protocol

sWave.NET®

#### Transmission power

< 25 mW

#### Wireless approvals

USA: FCC - VPYLBA00B1SJ

Canada: IC - 772C-LBAA00B1SJ

#### Function

##### Wireless range

max. 450 m outdoors, max. 40 m indoors

### Voltage supply

---

#### Voltage source

lithium battery Tadiran TL-5920 (replaceable)

#### System

Li/SOCl<sub>2</sub>

#### Nominal voltage

3.6 V

#### Nominal capacity

8.5 Ah

### Alternative voltage supply

---

#### Voltage source

lithium battery Tadiran SL-2770 (C), replaceable

#### System

Li/SOCl<sub>2</sub>

#### Nominal voltage

3.6 V

#### Nominal capacity

8.5 Ah

#### Battery life

depending on the switching frequency, at 6x/minute: > 10 years

Errors and omissions excepted.