

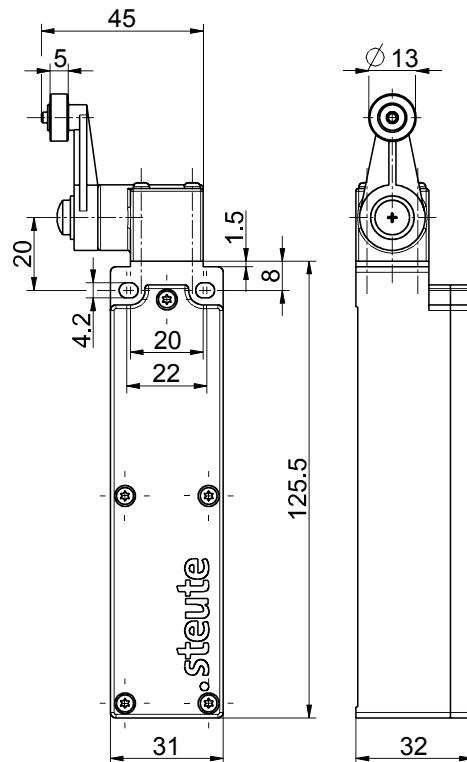


## Position switch with rocking lever RF 96 D/90° SW922-NET Article no.: on request

### Product features

- sWave.NET® wireless technology
- Cable-free - with cost savings for installation and maintenance
- Configurable online via wireless interface
- Simple operation and integration in existing ERP systems via Sensor Bridge
- High scalability - up to several hundred sensors in one application
- Battery life approx. 10 years
- Actuator: Rocking lever D
- Lever can be repositioned in 10° steps clockwise or counter-clockwise
- Wear-resistant plastic roller
- Actuator can be repositioned by 4 x 90°

### Dimensions



### General technical data

#### Applied standards

EN 60947-5-1, EN 61000-6-2, EN 61000-6-3, EN 301 489-3, EN 300 220-2

#### Enclosure

thermoplastic, glass-fibre reinforced, shockproof, self-extinguishing UL 94 V-0

#### Tightening torque

M4 enclosure mounting screws: max 1.2 Nm  
M2.5 cover screws: approx. 0.45 Nm

#### Degree of protection

IP67 (IEC/EN 60529)

#### Ambient temperature

-20 °C ... +65 °C

#### Telegram rate

max. 1440 telegrams with repetitions/h

#### Mechanical life

> 1 million operations

#### Actuating time

min. 80 ms

#### Note

transmission of battery voltage and switching condition

#### Wireless approvals

Japan:  ARIB STD-T108: 204-610002

### Wireless technology

#### Frequency

916.5 MHz (Japan)

#### Data rate

66 kbps

Errors and omissions excepted.



Position switch with rocking lever  
RF 96 D/90° SW922-NET  
Article no.: on request

Wireless technology (contd.)

---

Channel bandwidth  
520 kHz

Modulation type  
2-FSK

Protocol  
sWave.NET®

Transmission power  
< 1 mW

Wireless range  
max. 150 m outdoors, max. 20 m indoors

Voltage supply

---

Voltage source  
lithium battery Tadiran SL-2770 (C), replaceable

System  
Li/SOCl<sub>2</sub>

Nominal voltage  
3.6 V

Nominal capacity  
8.5 Ah

Battery life  
depending on the switching frequency, at 6x/minute: > 10 years