



Position switch with rocking lever RF 96 DL/90° SW915B-NET Article no.: on request

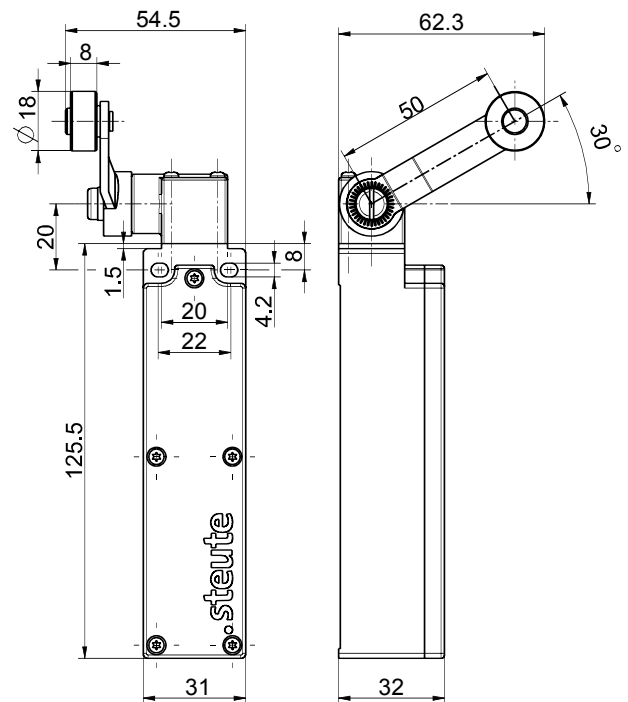
Product features

- sWave.NET® wireless technology
- Cable-free - with cost savings for installation and maintenance
- Configurable online via wireless interface
- Simple operation and integration in existing ERP systems via Sensor Bridge
- High scalability - up to several hundred sensors in one application
- Battery life approx. 10 years
- Actuator: Long rocking lever DL
- Lever can be repositioned in 10° steps clockwise or counter-clockwise
- Wear-resistant plastic roller
- Actuator can be repositioned by 4 x 90°

Notes

- The battery must be ordered separately.

Dimensions



General technical data

Applied standards

EN 60947-5-1, EN 61000-6-2, EN 61000-6-3, EN 301 489-3, EN 300 220-2

Enclosure

thermoplastic, glass-fibre reinforced, shockproof, self-extinguishing UL 94 V-0

Tightening torque

M4 enclosure mounting screws: max 1.2 Nm
M2.5 cover screws: approx. 0.45 Nm

Degree of protection

IP67 (IEC/EN 60529)

Ambient temperature

-20 °C ... +65 °C

Telegram rate

max. 12000 telegrams with repetitions/h

Mechanical life

> 1 million operations

Actuating time

min. 80 ms

Note

transmission of battery voltage and switching condition

Wireless technology

General

Frequency

914.2 MHz (USA, Canada)

Data rate

62.5 kbps

Channel bandwidth

500 kHz

Modulation type

CSS

Errors and omissions excepted.



Position switch with rocking lever RF 96 DL/90° SW915B-NET Article no.: on request

Wireless technology (contd.)

Protocol

sWave.NET®

Transmission power

< 25 mW

Wireless approvals

USA: FCC - VPYLBAA0QB1SJ

Canada: IC - 772C-LBAA0QB1SJ

Function

Wireless range

max. 450 m outdoors, max. 40 m indoors

Voltage supply

Voltage source

lithium battery Tadiran TL-5920 (replaceable)

System

Li/SOCl₂

Nominal voltage

3.6 V

Nominal capacity

8.5 Ah

Alternative voltage supply

Voltage source

lithium battery Tadiran SL-2770 (C), replaceable

System

Li/SOCl₂

Nominal voltage

3.6 V

Nominal capacity

8.5 Ah

Battery life

depending on the switching frequency, at 6x/minute: > 10 years

Errors and omissions excepted.