



Position switch with rocking lever RF 96 DS SW868-NET Article no.: 1446019

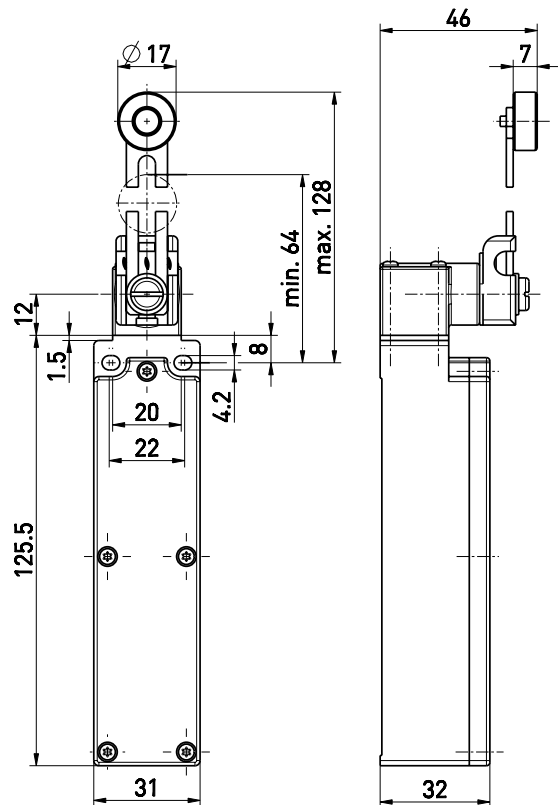
Product features

- sWave.NET® wireless technology
- Cable-free - with cost savings for installation and maintenance
- Configurable online via wireless interface
- Simple operation and integration in existing ERP systems via Sensor Bridge
- High scalability - up to several hundred sensors in one application
- Battery life approx. 10 years
- Actuator: Adjustable rocking lever DS
- Lever can be repositioned in 10° steps clockwise or counter-clockwise
- Wear-resistant plastic roller
- Actuator can be repositioned by 4 x 90°

Notes

- Factory delivery with battery type SL-760 (AA).

Dimensions



General technical data

Applied standards

EN 60947-5-1, EN 61000-6-2, EN 61000-6-3, EN 301 489-3, EN 300 220-2

Enclosure

thermoplastic, glass-fibre reinforced, shockproof, self-extinguishing UL 94 V-0

Tightening torque

M4 enclosure mounting screws: max 1.2 Nm
M2.5 cover screws: approx. 0.45 Nm

Degree of protection

IP67 (IEC/EN 60529)

Ambient temperature

-20 °C ... +65 °C

Telegram rate

max. 12000 telegrams with repetitions/h

Actuating time

min. 80 ms

Mechanical life

> 1 million operations

Note

transmission of battery voltage and switching condition

Wireless approvals

Europe: RED 2014/53/EU

Weight

180 g

Wireless technology

Frequency

868.3 MHz (Europe)

Data rate

66 kbps

Errors and omissions excepted.



Position switch with rocking lever RF 96 DS SW868-NET Article no.: 1446019

Wireless technology (contd.)

Channel bandwidth
350 kHz

Modulation type
2-FSK

Protocol
sWave.NET®

Transmission power
< 25 mW

Wireless range
max. 450 m outdoors, max. 40 m indoors

Voltage supply

Voltage source
lithium battery Tadiran SL-2770 (C), replaceable

System
Li/SOCl₂

Nominal voltage
3.6 V

Nominal capacity
8.5 Ah

Battery life
depending on the switching frequency, at 6x/minute: > 10 years

Alternative voltage supply

Voltage source
lithium battery Tadiran SL-760 (AA), replaceable

System
Li/SOCl₂

Nominal voltage
3.6 V

Nominal capacity
2.2 Ah

Battery life
depending on the switching frequency, at 6x/minute: 3.5 years