



## Position switch with spring-rod lever RF 96 DF/90° SW915-NET Article no.: on request

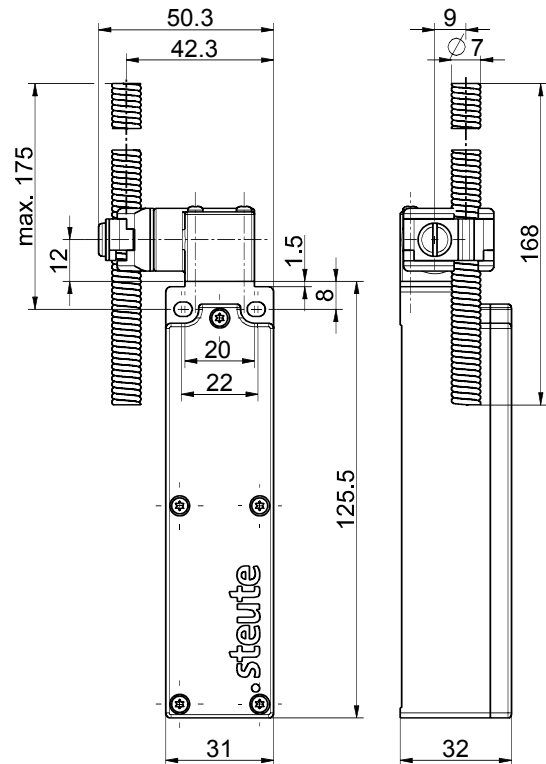
### Product features

- sWave.NET® wireless technology
- Cable-free - with cost savings for installation and maintenance
- Configurable online via wireless interface
- Simple operation and integration in existing ERP systems via Sensor Bridge
- High scalability - up to several hundred sensors in one application
- Battery life approx. 10 years
- Actuator: Spring-rod lever DF
- Lever can be repositioned in 10° steps clockwise or counter-clockwise
- Actuator can be repositioned by 4 x 90°

### Notes

- The battery must be ordered separately.

### Dimensions



### General technical data

#### Applied standards

EN 60947-5-1, EN 61000-6-2, EN 61000-6-3, EN 301 489-3, EN 300 220-2

#### Enclosure

thermoplastic, glass-fibre reinforced, shockproof, self-extinguishing UL 94 V-0

#### Tightening torque

M4 enclosure mounting screws: max 1.2 Nm  
M2.5 cover screws: approx. 0.45 Nm

#### Degree of protection

IP67 (IEC/EN 60529)

#### Ambient temperature

-20 °C ... +65 °C

#### Telegram rate

max. 12000 telegrams with repetitions/h

#### Mechanical life

> 1 million operations

#### Actuating time

min. 80 ms

#### Note

transmission of battery voltage and switching condition

#### Wireless approvals

USA: FCC-Id. XK5-RFRXSW915

Canada: IC - 5158A-RFRXSW915

### Wireless technology

#### Frequency

915 MHz (USA, Canada)

#### Data rate

66 kbps

Errors and omissions excepted.



## Position switch with spring-rod lever RF 96 DF/90° SW915-NET Article no.: on request

### Wireless technology (contd.)

---

<b>Channel bandwidth</b> 550 kHz	<b>Transmission power</b> < 25 mW
<b>Modulation type</b> 2-FSK	<b>Wireless range</b> max. 450 m outdoors, max. 40 m indoors
<b>Protocol</b> sWave.NET®	

### Voltage supply

---

<b>Voltage source</b> lithium battery Tadiran TL-5920 (replaceable)	<b>Nominal voltage</b> 3.6 V
<b>System</b> Li/SOCl <sub>2</sub>	<b>Nominal capacity</b> 8.5 Ah

### Alternative voltage supply

---

<b>Voltage source</b> lithium battery Tadiran SL-2770 (C), replaceable	<b>Nominal capacity</b> 8.5 Ah
<b>System</b> Li/SOCl <sub>2</sub>	<b>Battery life</b> depending on the switching frequency, at 6x/minute: > 10 years
<b>Nominal voltage</b> 3.6 V	

Errors and omissions excepted.