



Tilting sensor RF RW SW915-NET-ESD Article no.: 1260093

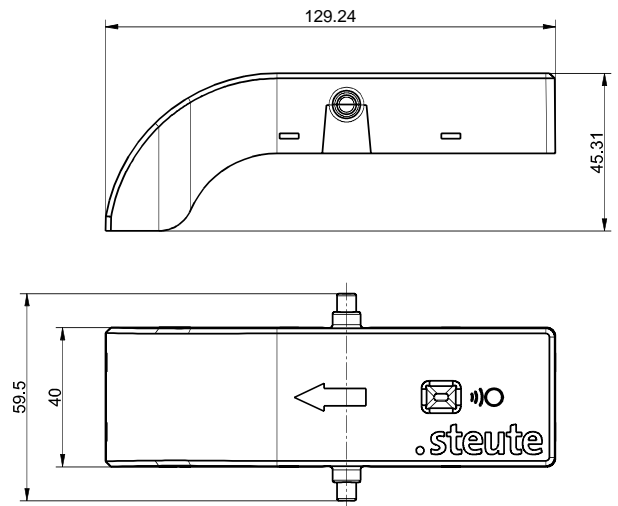
Product features

- Sensor with sWave.NET® wireless technology for the detection of small parts containers
- Simple assembly in commercially available standard shelves
- Transmission signal configuration
- ESD protection

Notes

- The wireless tilting sensor and the assembling kit must be ordered individually. The assembling kit is not included with the wireless tilting sensor.

Dimensions



General technical data

Applied standards

EN 60947-5-1, EN 61000-6-2, EN 61000-6-3, EN 61000-4-20, EN 301 489-3, EN 300 220-2

Enclosure

PC-ABS, UL 94 HB, red, similar to RAL 3003

Cover

PC-ABS, UL 94 HB, grey, similar to RAL 7015

Degree of protection

in installation position: IP54 (IEC/EN 60529)

B_{10d} (10 % load)

2 million

T_M

max. 10 years, depending on existing actuation frequency

Degree of pollution

2

LED display

lights up red on actuation

Actuating force

0.3 N ... 0.5 N (with vertical actuation; box weight min. 500 g)

Roller conveyor incline

-27° ... +90°

Mechanical life

> 1 million operations

Ambient temperature

-10 °C ... +50 °C

Storage and shipping temperature

-10 °C ... +50 °C

Shock resistance

16 g

Vibration resistance

5 g (10-150 Hz)

Wireless approvals

USA: FCC-Id. XK5-RFRXSW915

Canada: IC - 5158A-RFRXSW915

Wireless technology

Frequency

915 MHz (USA, Canada)

Data rate

66 kbps

Channel bandwidth

550 kHz

Modulation type

2-FSK

Protocol

sWave.NET®

Transmission power

< 25 mW

Errors and omissions excepted.



Tilting sensor
RF RW SW915-NET-ESD
Article no.: 1260093

Wireless technology (contd.)

Wireless range

max. 450 m outdoors, max. 40 m indoors

Voltage supply

Voltage source

2 x batteries Mignon/AA/LR6 (replaceable)

System

Zn-MnO₂ (Alkaline)

Nominal voltage

1.5 V

Nominal capacity

2.9 Ah

Battery life

approx. 10 years (depending on actuation frequency)

Note

- With an RF RW FIX KIT bracket, the wireless rack sensor fulfils the requirements for use in ESD-protected zones. Electrostatic charge is effectively prevented. Neither hazardous potential differences nor hazardous surface potentials occur (does not apply to clips). Any charge can be safely discharged via the housing components to the rack. Contact between the rack sensor and the materials boxes is fundamentally minimalised. The clips are not integrated in the friction system.