



## Universal transmitter - 4 port RF I/O SW915-NET Article no.: on request

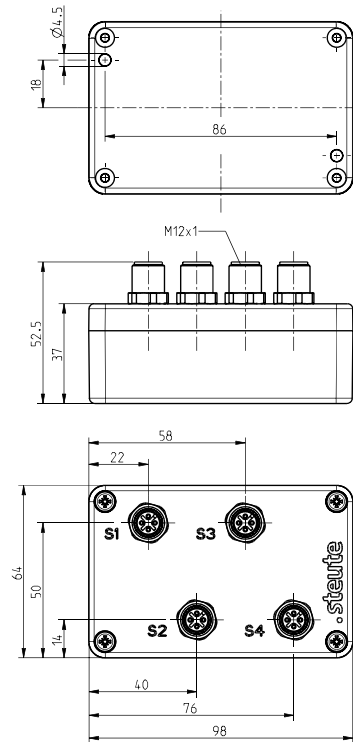
### Product features

- Thermoplastic enclosure
- 4 x plug-in connector M12
- sWave.NET® wireless technology
- No wiring and cable laying required
- Power supply by Lithium battery
- Configurable online via wireless interface

### Notes

- The RF I/O may be used in combination with wireless inductive sensor RF IS or wireless magnetic sensor RF RC M10.
- Connection of external switching contact (potentialfree contact) with gold contacts possible.
- The battery must be ordered separately.

### Dimensions



### General technical data

#### Applied standards

EN 60947-5-1, EN 61000-6-3, EN 300 220-2, EN 301 489-3, EN 62479

#### Enclosure

ABS, UL 94 HB, RAL 9005

#### Antenna

integrated antenna

#### Tightening torque

enclosure mounting screws: max. 1.5 Nm  
cover screws: max. 1.5 Nm

#### Degree of protection

IP65 (IEC/EN 60529), only with plugged cables and/or with closed protective caps

#### Connection

4 x plug-in connector M12 x 1, 4-pole, A-coded

#### Connectable devices

RF IS M8, RF IS M12, RF IS M18, RF IS M30, RF RC M10, external switches using the coupling with connecting cable 1215497 or 1262873

#### Safety class

III

#### Ambient temperature

-20 °C ... +65 °C

#### Type of installation

mount on an even surface

#### Mounting position

any

#### Mounting

screws M4

#### Telegram rate

max. 12000 telegrams with repetitions/h

#### Switching frequency

max. 5 Hz

#### Standby current

60 µA

#### Actuating time

min. 80 ms

Errors and omissions excepted.



## Universal transmitter - 4 port RF I/O SW915-NET Article no.: on request

### General technical data (contd.)

---

#### Note

transmission of battery voltage and switching condition

#### Wireless approvals

USA: FCC-Id. XK5-RFRXSW915

Canada: IC - 5158A-RFRXSW915

### Wireless technology

---

#### Frequency

915 MHz (USA, Canada)

#### Data rate

66 kbps

#### Channel bandwidth

550 kHz

#### Modulation type

2-FSK

#### Protocol

sWave.NET®

#### Transmission power

< 25 mW

#### Wireless range

max. 450 m outdoors, max. 40 m indoors

### Voltage supply

---

#### Voltage source

lithium battery Tadiran TL-5903 (replaceable)

#### System

Li/SOCl<sub>2</sub>

#### Nominal voltage

3.6 V

#### Nominal capacity

2.4 Ah

### Alternative voltage supply

---

#### Voltage source

lithium battery Tadiran SL-760 (AA), replaceable

#### System

Li/SOCl<sub>2</sub>

#### Nominal voltage

3.6 V

#### Nominal capacity

2.2 Ah

#### Battery life – magnetic sensor / external contact

depending on the switching frequency

**mainly not activated**

10 s: approx. 3.2 years; 100 s: approx. 4.1 years; 1,000 s: approx. 4.2 years

**mainly activated**

10 s: approx. 2.0 years; 100 s: approx. 2.4 years; 1,000 s: approx. 2.4 years

#### Battery life – inductive sensor 1 x

depending on the switching frequency

**mainly not activated**

10 s: approx. 0.8 years; 100 s: approx. 0.9 years; 1,000 s: approx. 0.9 years

**mainly activated**

10 s: approx. 1.3 years; 100 s: approx. 1.5 years; 1,000 s: approx. 1.5 years

#### Battery life – inductive sensor 4 x

depending on the switching frequency

**mainly not activated**

10 s: approx. 0.3 years; 100 s: approx. 0.3 years; 1,000 s: approx. 0.3 years

**mainly activated**

10 s: approx. 0.5 years; 100 s: approx. 0.5 years; 1,000 s: approx. 0.5 years

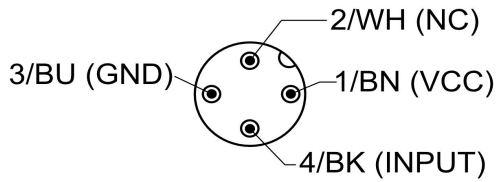
Errors and omissions excepted.



## Universal transmitter - 4 port RF I/O SW915-NET Article no.: on request

### Pin assignment

---



Colour coding only valid for  
coupling 4-poles mat. no. 1215497 and  
coupling 4-poles mat. no. 1262873

### External switch contact

---

