



Universal transmitter with external power supply - 4 port RF I/O SW868-4E-Vcc-ext-NET Article no.: 1241729

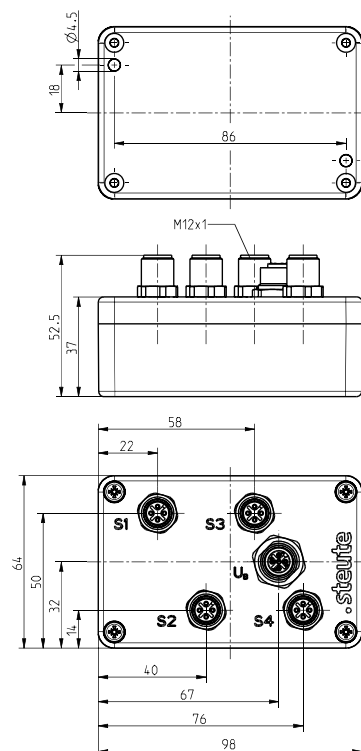
Product features

- Thermoplastic enclosure
- sWave.NET® wireless technology
- No wiring and cable laying required
- External power supply via M12 socket
- Configurable online via wireless interface

Notes

- The RF I/O may be used in combination with wireless inductive sensor RF IS.
- Connection of external switching contact (potentialfree contact) with gold contacts possible.

Dimensions



General technical data

Applied standards

EN 60947-5-1, EN 61000-6-3, EN 300 220-2, EN 301 489-3, EN 62479

Enclosure

ABS, UL 94 HB, RAL 9005

Antenna

integrated antenna

Tightening torque

enclosure mounting screws: max. 1.5 Nm
cover screws: max. 1.5 Nm

Degree of protection

IP65 (IEC/EN 60529), only with plugged cables and/or with closed protective caps

Voltage source

24 VDC

Connection

Sensors: plug-in connector 4 x M12 x 1, 4-pole
power supply: 1 x M12 socket

Safety class

III

Ambient temperature

-20 °C ... +65 °C

Type of installation

mount on an even surface

Mounting position

any

Mounting

screws M4

Telegram rate

max. 12000 telegrams with repetitions/h

Switching frequency

max. 5 Hz

Rated operating voltage range U_B

18 ... 30 VDC Pin 1 and Pin 3, socket M12

Errors and omissions excepted.



Universal transmitter with external power supply - 4 port RF I/O SW868-4E-Vcc-ext-NET Article no.: 1241729

General technical data (contd.)

Rated insulation voltage U_i
75 VDC

Rated impulse withstand voltage U_{imp}
0.5 kV

Rated operating current I_e
2.5 mA

Voltage drop $U_e - U_{out}$
3.5 V with 4 x 50 mA sensor current

Load current
max. 50 mA per sensor connection (not short-circuit proof)

Switching points
> 5 VDC (E1 - E4)

Actuating time
min. 80 ms

Wireless approvals
Europe: RED 2014/53/EU

Note
Wrong polarity protection

Weight
171 g

Wireless technology

Frequency
868.3 MHz (Europe)

Data rate
66 kbps

Channel bandwidth
350 kHz

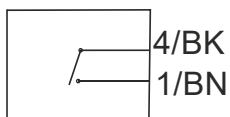
Modulation type
2-FSK

Protocol
sWave.NET®

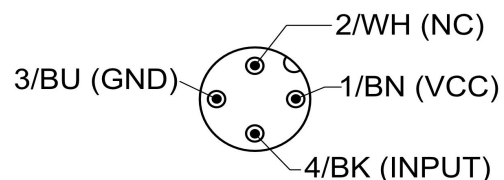
Transmission power
< 25 mW

Wireless range
max. 450 m outdoors, max. 40 m indoors

External switch contact



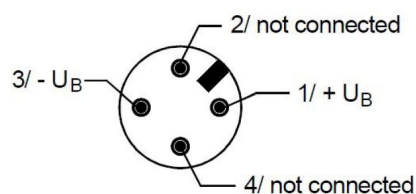
Pin assignment



Colour coding only valid for
coupling 4-poles mat. no. 1215497 and
coupling 4-poles mat. no. 1262873

Pin assignment / Power supply

M12 x 1
1 BN + U_B
2 WH NC
3 BU - U_B
4 BK NC



Errors and omissions excepted.