



## Andon push button RF MAKD 3F SW868-NET Article no.: 1408239

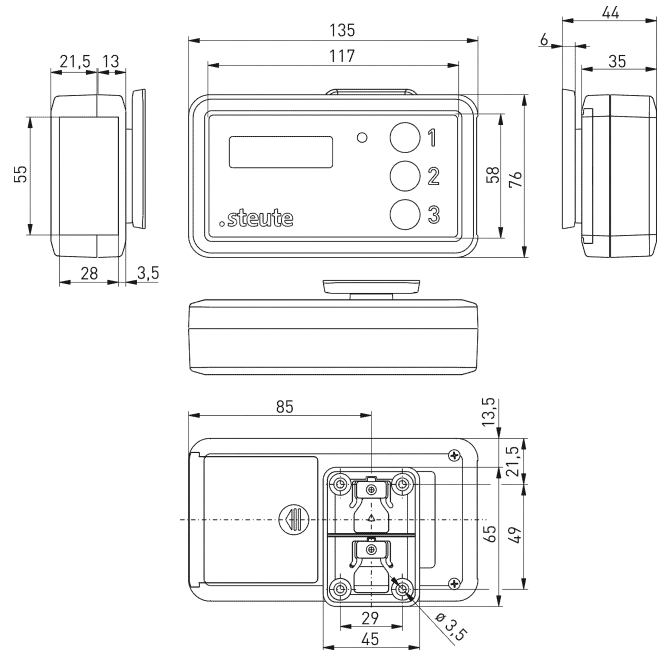
### Product features

- sWave.NET® wireless technology
- Thermoplastic enclosure
- With 3 buttons and display

#### Notes

- The front foil is resistant to alcohol, ester, dilute acids, dilute alkalis, solvents, ketones and household cleaning agents.
- The battery must be ordered separately.

### Dimensions



### General technical data

#### Applied standards

EN 60947-5-1, EN 61000-6-2, EN 61000-6-3, EN 301 489-3, EN 300 220-2

#### Enclosure

ABS, self-extinguishing UL 94 V-0

#### Degree of protection

IP40 (IEC/EN 60529)

#### Voltage source

3 x batteries Mignon/AA/LR6 (replaceable)

#### Battery life

up to 7 years, depending on switching frequency and activity time of the display

#### Display

monochrome, high-contrast, 2x16 characters for individual text

#### Ambient temperature

-10 °C ... +60 °C

#### Wireless approvals

Europe: RED 2014/53/EU

#### Weight

165 g

### Wireless technology

#### Frequency

868.3 MHz (Europe)

#### Data rate

66 kbps

#### Channel bandwidth

350 kHz

#### Modulation type

2-FSK

#### Protocol

sWave.NET®

#### Transmission power

< 25 mW

#### Wireless range

max. 450 m outdoors, max. 40 m indoors

Errors and omissions excepted.