



Andon push button RF MAKD 3F SW915B-NET Article no.: on request

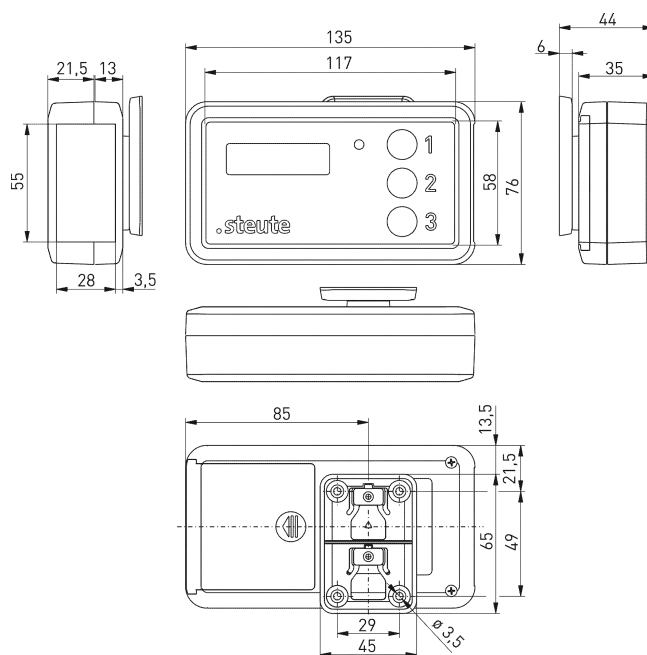
Product features

- sWave.NET® wireless technology
- Thermoplastic enclosure
- With 3 buttons and display

Notes

- The front foil is resistant to alcohol, ester, dilute acids, dilute alkalis, solvents, ketones and household cleaning agents.
- The battery must be ordered separately.

Dimensions



General technical data

Applied standards

EN 60947-5-1, EN 61000-6-2, EN 61000-6-3, EN 301 489-3, EN 300 220-2

Enclosure

ABS, self-extinguishing UL 94 V-0

Degree of protection

IP40 (IEC/EN 60529)

Voltage source

3 x batteries Mignon/AA/LR6 (replaceable)

Battery life

up to 7 years, depending on switching frequency and activity time of the display

Display

monochrome, high-contrast, 2x16 characters for individual text

Ambient temperature

-10 °C ... +60 °C

Weight

173 g

Wireless technology

General

Frequency

914.2 MHz (USA, Canada)

Data rate

62.5 kbps

Channel bandwidth

500 kHz

Modulation type

CSS

Protocol

sWave.NET®

Transmission power

< 25 mW

Errors and omissions excepted.



Andon push button RF MAKD 3F SW915B-NET Article no.: on request

Wireless technology (contd.)

Wireless approvals

USA: FCC - VPYLBAA0QB1SJ

Canada: IC - 772C-LBAA0QB1SJ

Function

Wireless range

max. 450 m outdoors, max. 40 m indoors