

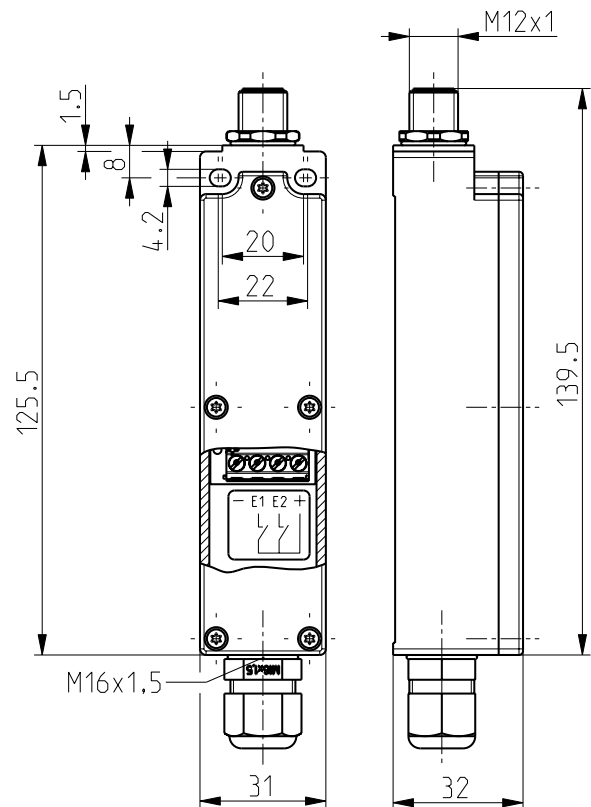


## Universal transmitter with external power supply - 1 port RF 96 ST SW917 Vcc extern-NET Article no.: on request

### Product features

- sWave.NET® wireless technology
- Cable-free - with cost savings for installation and maintenance
- Configurable online via wireless interface
- Simple operation and integration in existing ERP systems via Sensor Bridge
- High scalability - up to several hundred sensors in one application
- External power supply via M12 plug-in connector

### Dimensions



### General technical data

#### Applied standards

EN 60947-5-1, EN 61000-6-2, EN 61000-6-3, EN 61000-4-4, EN 61000-4-5, EN 61000-4-6, EN 301 489-3, EN 300 220-2

#### Enclosure

thermoplastic, glass-fibre reinforced, shockproof, self-extinguishing UL 94 V-0

#### Tightening torque

M4 enclosure mounting screws: max 1.2 Nm  
M2.5 cover screws: approx. 0.45 Nm

#### Degree of protection

IP67 (IEC/EN 60529), only with plugged cable

#### Voltage source

24 VDC

#### Connection

plug-in connector M12 x 1, 4-pole, A-coded

#### Ambient temperature

-20 °C ... +65 °C

#### Switching frequency

max. 5 Hz

#### Rated operating voltage range $U_B$

10 ... 30 VDC Pin 1 and Pin 3 plug-in connector M12

#### Rated insulation voltage $U_i$

75 VDC

#### Rated impulse withstand voltage $U_{imp}$

0.5 kV

#### Rated operating current $I_e$

2.5 mA

#### Standby current

15  $\mu$ A (if sensor is not connected)

#### Voltage drop $U_e - U_{out}$

1.5 V

#### Load current

max. 100 mA

#### Switching points

> 5 VDC (E1, E2)

#### Actuating time

min. 80 ms

Errors and omissions excepted.



## Universal transmitter with external power supply - 1 port RF 96 ST SW917 Vcc extern-NET Article no.: on request

### General technical data (contd.)

Wireless approvals  
Brazil: ANATEL 04172-18-06718

Mounting  
screws M4

### Wireless technology

Frequency  
917 MHz (Brazil)

Data rate  
66 kbps

Channel bandwidth  
550 kHz

Modulation type  
2-FSK

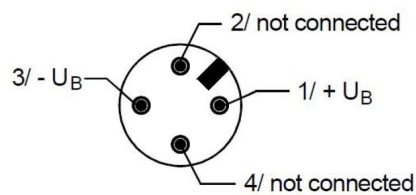
Protocol  
sWave.NET®

Transmission power  
< 25 mW

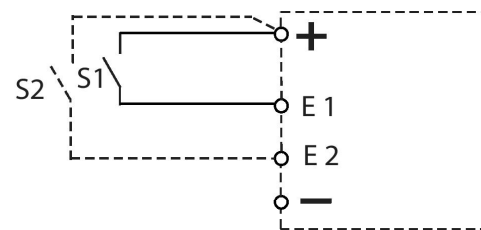
Wireless range  
max. 450 m outdoors, max. 40 m indoors

### Pin assignment / Power supply

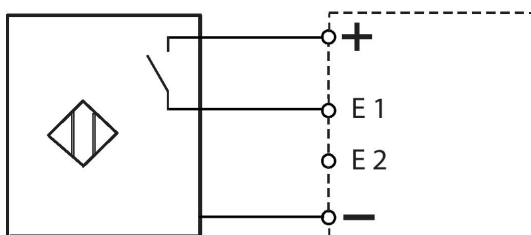
M12 x 1	
1 BN	+U <sub>B</sub>
2 WH	NC
3 BU	-U <sub>B</sub>
4 BK	NC



### External switch contact



### Sensors



Errors and omissions excepted.