



Laser sensor RF 96 SDS SW915B-NET Article no.: on request

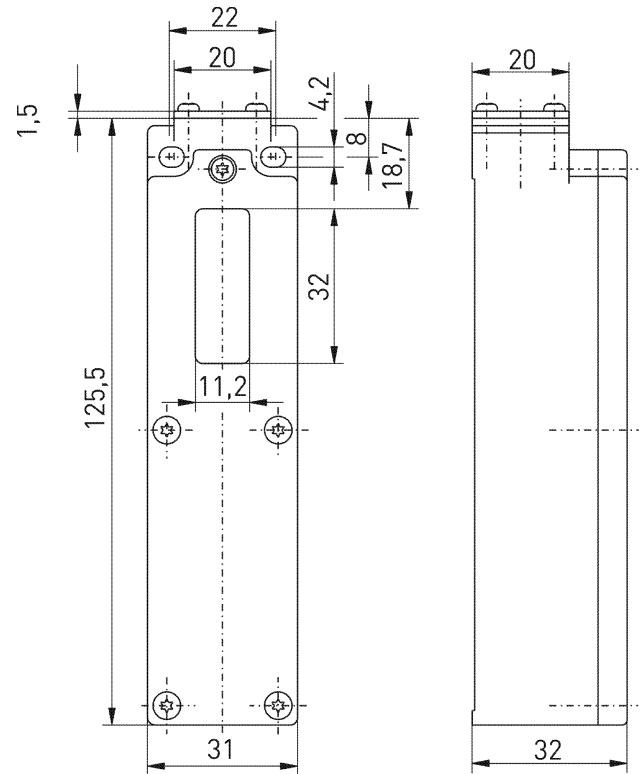
Product features

- sWave.NET® wireless technology
- Laser sensor: Logging with IR laser
- Impervious to optical interference from industrial surroundings
- Configurable online via wireless interface
- Simple operation and integration in existing ERP systems via Sensor Bridge
- Simple assembly in commercially available standard shelves
- Power supply by Lithium battery (replaceable)

Notes

- The battery must be ordered separately.

Dimensions



General technical data

Applied standards

EN 60947-5-2, EN 61000-6-2, EN 61000-6-3, EN 301 489-3, EN 300 220-2

Enclosure

thermoplastic, glass-fibre reinforced, shockproof, self-extinguishing UL 94 V-0

Tightening torque

M4 enclosure mounting screws: max 1.2 Nm
M2.5 cover screws: approx. 0.45 Nm

Degree of protection

IP54 (IEC/EN 60529)

Sensor

logging with IR laser

Laser class

Class 1 to EN 60825-1; 950 nm

Ambient temperature

0 °C ... +65 °C

Telegram rate

max. 7200 telegrams with repetitions/h

Switching frequency

adjustable 1 Hz to 0.032 Hz, default 0.2 Hz

Cycle time

adjustable, default 5 s, min. 1 s, max. 31 s

Switching distances

0 - 5 cm ... 0 - 50 cm, adjustable in 1 cm steps

Accuracy

± 20 mm

Field of view

27°

Hysteresis

one side, default 4 cm, adjustable in 1 cm steps

Standby current

130 µA with default settings (5 s cycle time)

Actuating time

min. 20 ms

Note

transmission of battery voltage and switching condition

Errors and omissions excepted.



Laser sensor RF 96 SDS SW915B-NET Article no.: on request

Wireless technology

General

Frequency

914.2 MHz (USA, Canada)

Data rate

62.5 kbps

Channel bandwidth

500 kHz

Modulation type

CSS

Protocol

sWave.NET®

Transmission power

< 25 mW

Wireless approvals

USA: FCC - VPYLBA00QB1SJ

Canada: IC - 772C-LBAA00QB1SJ

Function

Wireless range

max. 450 m outdoors, max. 40 m indoors

Voltage supply

Voltage source

lithium battery Tadiran TL-5920 (replaceable)

System

Li/SOCl₂

Nominal voltage

3.6 V

Nominal capacity

8.5 Ah

Alternative voltage supply

Voltage source

lithium battery Tadiran SL-2770 (C), replaceable

System

Li/SOCl₂

Nominal voltage

3.6 V

Nominal capacity

8.5 Ah

Battery life

Typical values with default settings.

Actuation interval

10 s: approx. 5.7 years

100 s: approx. 6.2 years

1,000 s: approx. 6.2 years

10,000 s: approx. 6.2 years

N.B.: Changes in battery lifetime are almost linear to changes in cycle time.